



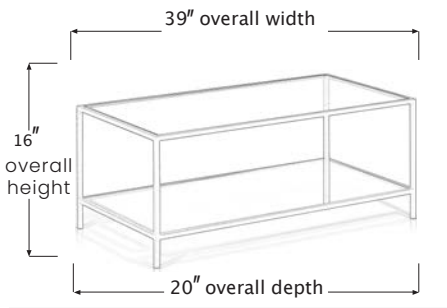
MARINI



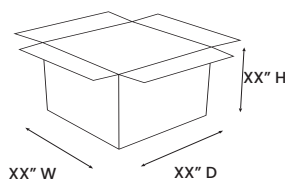
COFFEE TABLE

SEF0311

PRODUCT DIAGRAM



CARTON DIMENSIONS



SPECS & DIMENSIONS

WIDTH	39" W
DEPTH	20" D
HEIGHT	16" H
WEIGHT	XX LBS
CUBIC FEET	XX.X CU.FT
#ITEM/CTN	1PC/2CTN

MATERIAL INFORMATION

DESCRIPTION	COFFE TABLE
FINISH INFO 1	CLEAR TEMPERED GLASS
FINISH INFO 2	SMOKE TEMPERED GLASS
FINISH INFO 3	BLACK POWDER COATED STEEL

7933 Huntington Road, Woodbridge, ON L4H 0S9 | T: (905) 850-1530
 E: sales@korsonfurniture.com | www.korsonfurniture.com

