



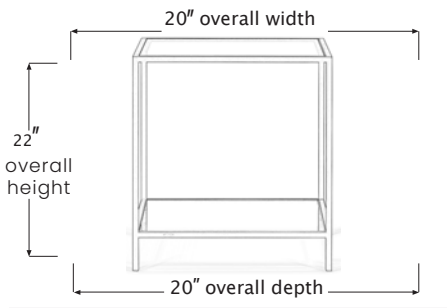
# MARINI



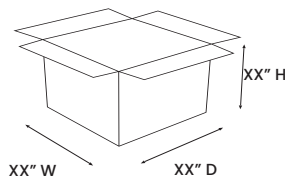
## END TABLE

## SEF0312

### PRODUCT DIAGRAM



### CARTON DIMENSIONS



### SPECS & DIMENSIONS

WIDTH	20" W
DEPTH	20" D
HEIGHT	22" H
WEIGHT	XX LBS
CUBIC FEET	XX.X CU.FT
#ITEM/CTN	1PC/2CTN

### MATERIAL INFORMATION

DESCRIPTION	END TABLE
FINISH INFO 1	CLEAR TEMPERED GLASS
FINISH INFO 2	SMOKE TEMPERED GLASS
FINISH INFO 3	BLACK POWDER COATED STEEL

7933 Huntington Road, Woodbridge, ON L4H 0S9 | T: (905) 850-1530  
E: sales@korsonfurniture.com | [www.korsonfurniture.com](http://www.korsonfurniture.com)

