



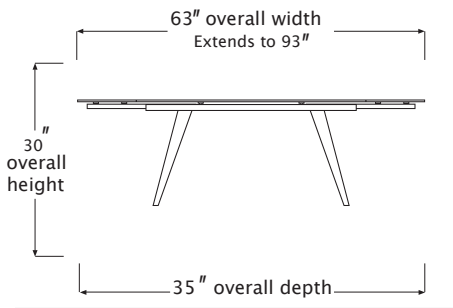
ABACCI



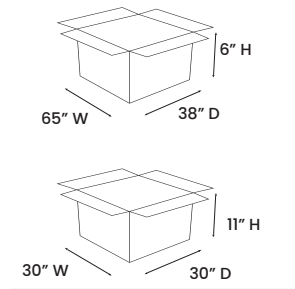
DINING TABLE

SEF2048W

PRODUCT DIAGRAM



CARTON DIMENSIONS



SPECS & DIMENSIONS

WIDTH	63" EXTENDS TO 93" W
DEPTH	35" D
HEIGHT	30" H
WEIGHT	197 LBS
CUBIC FEET	14.31 CU.FT
#ITEM/CTN	1PC/2CTN

MATERIAL INFORMATION

DESCRIPTION	RECTANGULAR GLASS TOP EXTENSION DINING TABLE
FINISH INFO 1	CLEAR TEMPERED GLASS
FINISH INFO 2	WALNUT
FINISH INFO 3	BLACK POWDER COATED STEEL

7933 Huntington Road, Woodbridge, ON L4H 0S9 | T: (905) 850-1530
 E: sales@korsonfurniture.com | www.korsonfurniture.com

