



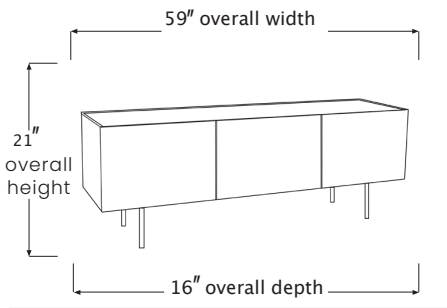
WINSTON



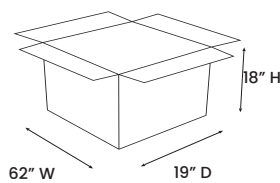
CABINET 3-DOORS

SGF216

PRODUCT DIAGRAM



CARTON DIMENSIONS



SPECS & DIMENSIONS

WIDTH	59" W
DEPTH	16" D
HEIGHT	21" H
WEIGHT	94 LBS
CUBIC FEET	10.7 CU.FT
#ITEM/CTN	1PC/1CTN

MATERIAL INFORMATION

DESCRIPTION	CABINET 3-DOORS
FINISH INFO 1	MARBLE MELAMINE TOP
FINISH INFO 2	WALNUT BODY
FINISH INFO 3	LIGHT BRONZE LEG

7933 Huntington Road, Woodbridge, ON L4H 0S9 | T: (905) 850-1530
 E: sales@korsonfurniture.com | www.korsonfurniture.com

