



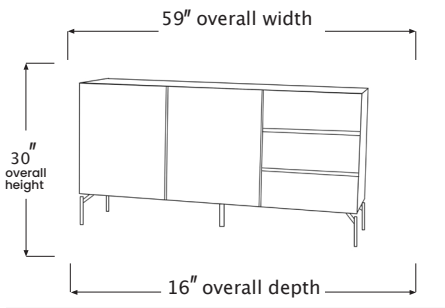
HAYDEN



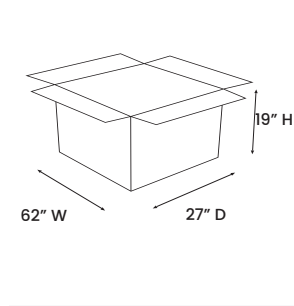
CABINET-2-DOORS & 3-DRAWERS

SGF297

PRODUCT DIAGRAM



CARTON DIMENSIONS



SECS & DIMENSIONS

WIDTH	59" W
DEPTH	16" D
HEIGHT	30" H
WEIGHT	132 LBS
CUBIC FEET	17 CU.FT
#ITEM/CTN	1PC/1CTN

MATERIAL INFORMATION

DESCRIPTION	CABINET-2-DOORS & 3-DRAWERS
FINISH INFO 1	WALNUT VENEER DOORS
FINISH INFO 2	MATT GRAY LACQUER BODY
FINISH INFO 3	GRAY POWDER COATED LEGS

7933 Huntington Road, Woodbridge, ON L4H 0S9 | T: (905) 850-1530
 E: sales@korsonfurniture.com | www.korsonfurniture.com

