



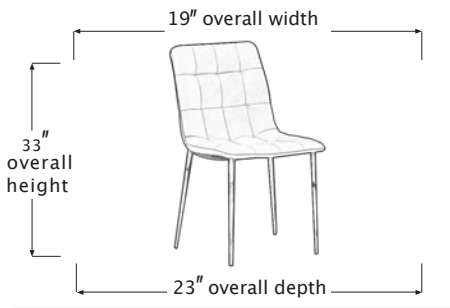
# PAIGE



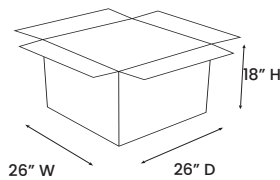
## DINING CHAIR

## SKSD68334

### PRODUCT DIAGRAM



### CARTON DIMENSIONS



### SPCS & DIMENSIONS

|            |            |
|------------|------------|
| WIDTH      | 19" W      |
| DEPTH      | 23" D      |
| HEIGHT     | 33" H      |
| WEIGHT     | 9 LBS      |
| CUBIC FEET | 7.04 CU.FT |
| #ITEM/CTN  | 2PC/1CTN   |

### MATERIAL INFORMATION

|               |                          |
|---------------|--------------------------|
| DESCRIPTION   | SIDE CHAIR               |
| FINISH INFO 1 | KEYSTONE                 |
| FINISH INFO 2 | STORM                    |
| FINISH INFO 3 | GRAY POWDER COATED STEEL |

**COVER CONTENT:** 100% POLYESTER  
**COVER ABRASION:** 35,000 DOUBLE RUBS

7933 Huntington Road, Woodbridge, ON L4H 0S9 | T: (905) 850-1530  
 E: sales@korsonfurniture.com | [www.korsonfurniture.com](http://www.korsonfurniture.com)

