



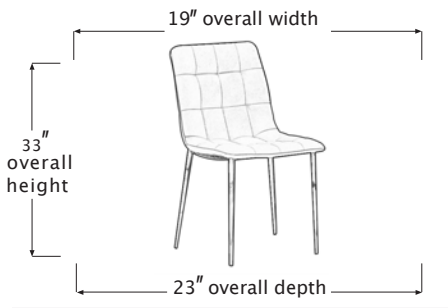
# PAIGE



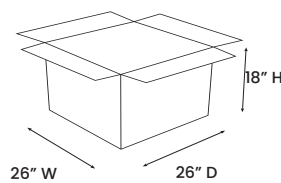
## DINING CHAIR

## SKSD68363

### PRODUCT DIAGRAM



### CARTON DIMENSIONS



### SPECS & DIMENSIONS

WIDTH	19" W
DEPTH	23" D
HEIGHT	33" H
WEIGHT	9 LBS
CUBIC FEET	7.04 CU.FT
#ITEM/CTN	2PC/1CTN

### MATERIAL INFORMATION

DESCRIPTION	SIDE CHAIR
FINISH INFO 1	SYNTHETIC LEATHER
FINISH INFO 2	WHITE
FINISH INFO 3	CHROME

COVER CONTENT: 100% POLYESTER  
COVER ABRASION: 35,000 DOUBLE RUBS

7933 Huntington Road, Woodbridge, ON L4H 0S9 | T: (905) 850-1530  
E: sales@korsonfurniture.com | [www.korsonfurniture.com](http://www.korsonfurniture.com)

