



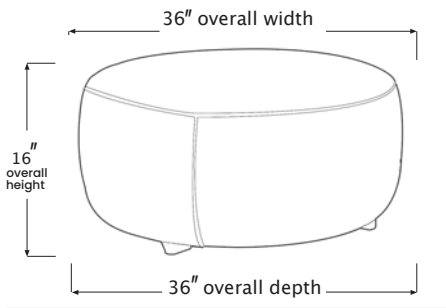
RODNEY



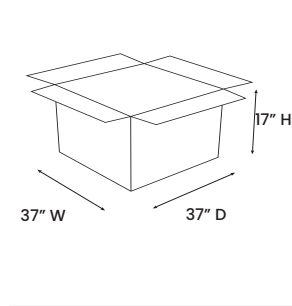
LARGE OTTOMAN

STB219521

PRODUCT DIAGRAM



CARTON DIMENSIONS



SPECS & DIMENSIONS

WIDTH	36" W
DEPTH	36" D
HEIGHT	16" H
WEIGHT	XX LBS
CUBIC FEET	XX.X CU.FT
#ITEM/CTN	1PC/1CTN

MATERIAL INFORMATION

DESCRIPTION	LARGE OTTOMAN
FINISH INFO 1	GRAY
FINISH INFO 2	BLACK
FINISH INFO 3	-

7933 Huntington Road, Woodbridge, ON L4H 0S9 | T: (905) 850-1530
 E: sales@korsonfurniture.com | www.korsonfurniture.com

